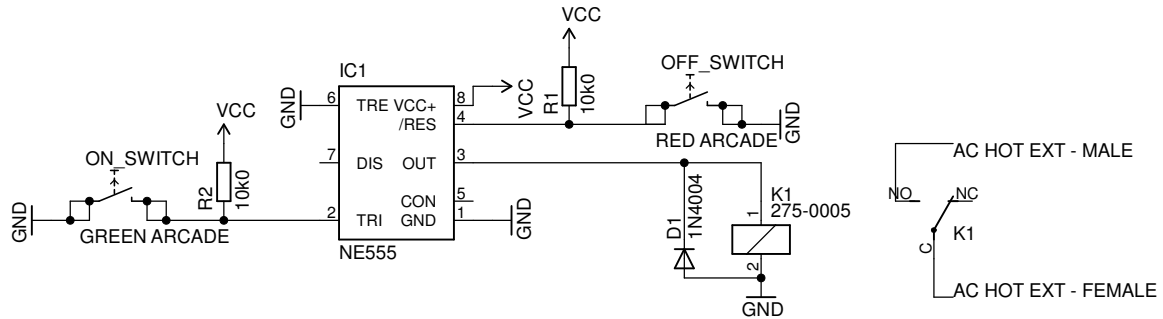
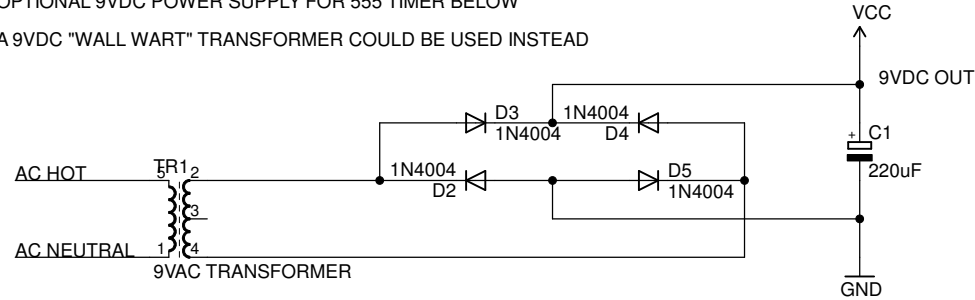


OPTIONAL 9VDC POWER SUPPLY FOR 555 TIMER BELOW  
 A 9VDC "WALL WART" TRANSFORMER COULD BE USED INSTEAD



DRAWN BY: PETE MILLS  
 DATE: 2011.09.05  
<http://petemills.blogspot.com>

TITLE: Arcade Pushbutton Lightswitch Schematic

Document Number: \_\_\_\_\_ REV: \_\_\_\_\_

Date: 9/6/2011 6:24:39 PM Sheet: 1/1